

Tri-lobe Blowers Trinado/Scirocco

310, 308 Blower Range:
1598 - 8244 (M³/HR)

Based on Success

HR Blowers are one of the world's leading air blower manufacturers and have a reputation for quality, innovation and service.

Design Features

The Scirocco Blower has been specially designed to reduce noise and power loss by utilising an exclusive wrap-around plenum and proprietary double Whispair® jet to control pressure equalisation - (feeding backflow in the direction of impeller movement, thereby aiding rotation).

The computer calculated impeller profiles ensures maximum volumetric efficiency with minimum absorbed power without sacrificing torsional rigidity.

The conservative load carrying capacity of the larger diameter rolling element bearings ensures an extended operating life. Timing gear life is also extended by a controlled lubrication system.

The gear and shaft strengths are substantially increased by the use of taper mounted gears which do not need keyways for location. Setting of the gear wheels to obtain correct timing of the impellers is simplified, a feature that facilitates field maintenance.

Specification

CASING: The cylinder and headplates are manufactured from cast iron.

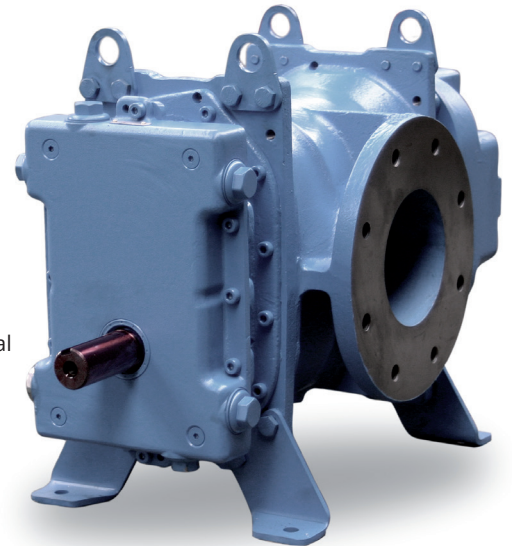
IMPELLERS AND SHAFTS: The dynamically balanced impellers have integral shafts and are made from ductile shafts.

The high rigidity of the impeller/shafts permits a higher pressure rise to be obtained than with other machines of comparable size. The generous shaft diameter keeps drive stresses low.

GEARS: Precision Ground Gears are used to ensure smooth, silent running and accurate timing of the rotary impellers. A controlled lubrication system is provided to ensure efficient operation without waste of energy in the gearcase. Timing gears are hardened and precision ground, spur gears are manufactured from high grade alloy steel.

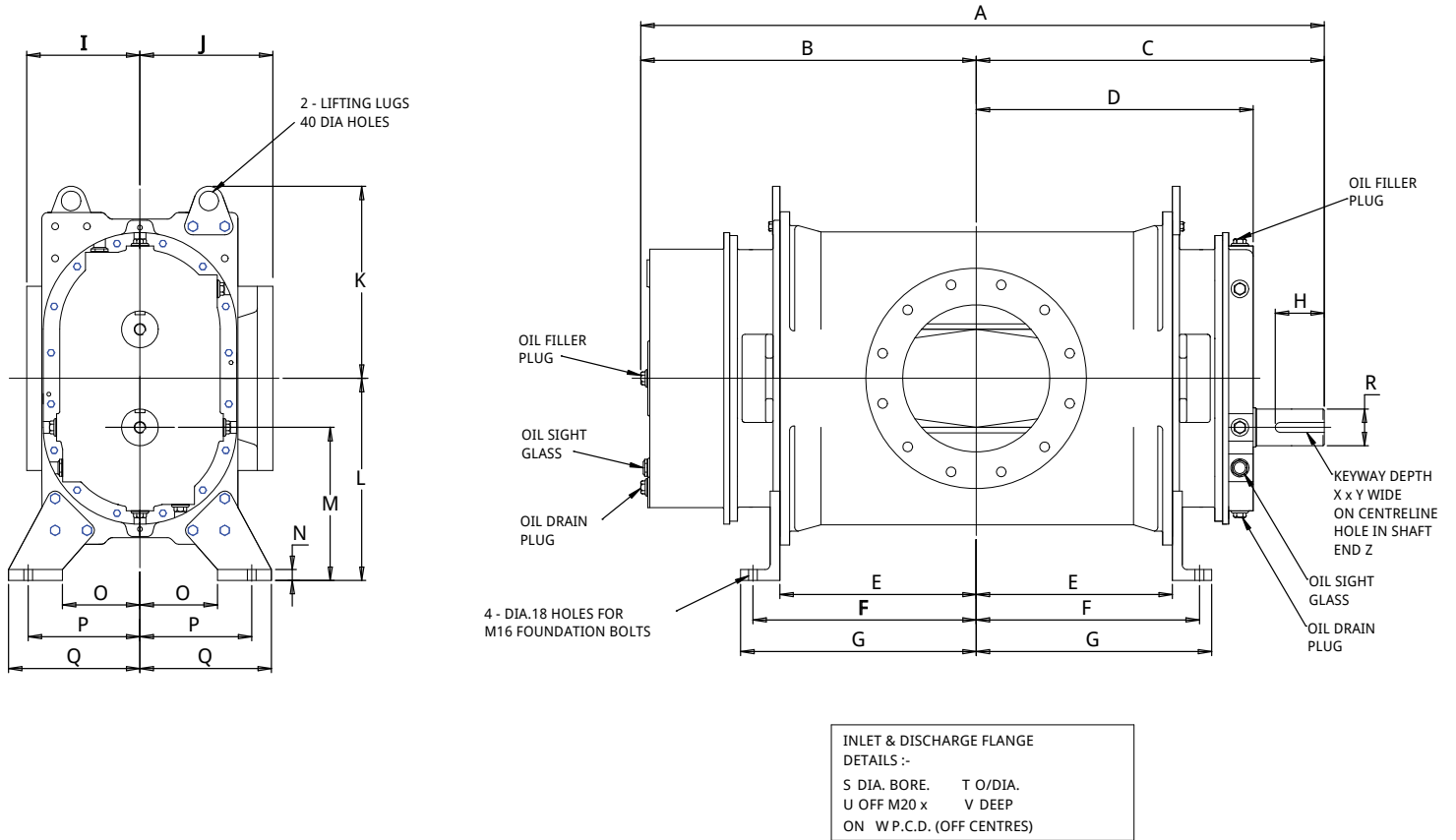
BEARINGS: The bearings at the drive end of the blower are spherical roller type of generous proportions to give long operational life. Parallel roller bearings are fitted at the gear end and are splash lubricated by oil from the gears.

LUBRICATION: Specially designed labyrinth seals and oil throwers are used at both ends. This feature eliminates maintenance associated with the use of lip seals. The Scirocco Whispair® blowers are constructed with air gaps which isolate the bearing and gear lubricants from the compression chamber.



User Benefits

- The delivered air is guaranteed to be oil free because internal lubrication is unnecessary, and because the Scirocco Range of Positive Displacement Air Blowers are constructed with air gaps which completely isolate bearing and gear lubricants from the compression chamber.
- Noise Levels are kept to a minimum. Air noise is reduced by carefully designed air ports (utilising the special Whispair feature and by the elimination of resonant unbraced surfaces. Mechanical noise levels have been reduced by running accuracy of the taper mounted gears.
- The blower can be installed for either vertical or horizontal air flow simply by repositioning the mounted feet. Installation costs can be reduced by the versatility of mounting arrangements.
- The generous diameter of the drive shaft permits the use of V-belt drives without the need for a double outer bearing.
- Centre timing permits clockwise or anti-clockwise drive shaft rotation.



Dimensions

Size	A	B	C	D	E	F	G	H	I	J	K	L	M	N	O	P	Q	R	S	T	U	V	W	X	Y	Z
308	1394	684	710	565	400	455	480	100	231	271	392	412	312	22	158	228	268	75.011/75.030	300	450	12 off M20	25	395	7.5	20	M24
310	1194	584	610	465	300	355	380	100	231	271	392	412	312	22	158	228	268	75.011/75.030	250	395	12 off M20	25	350	7.5	20	M24

Blower Performance

	SPEED	300mbar		500mbar		700mbar		1000mbar	
		M ³ /HR	kW	M ³ /HR	kW	M ³ /HR	kW	M ³ /HR	kW
310	1000	1958	30	1759	45	1598	75	—	—
	1500	3278	45	3079	75	2918	90	2714	132
	2000	4598	55	4400	90	4238	132	4035	185
	2600	6183	75	5984	132	5823	150	5619	220
308	1000	2610	37	2345	55	2130	75	—	—
	1500	4371	55	4106	90	3891	132	—	—
	2000	6131	75	5866	132	5651	185	—	—
	2600	8244	110	7979	150	7763	220	—	—

For accurate performance characteristics please contact HR Blowers